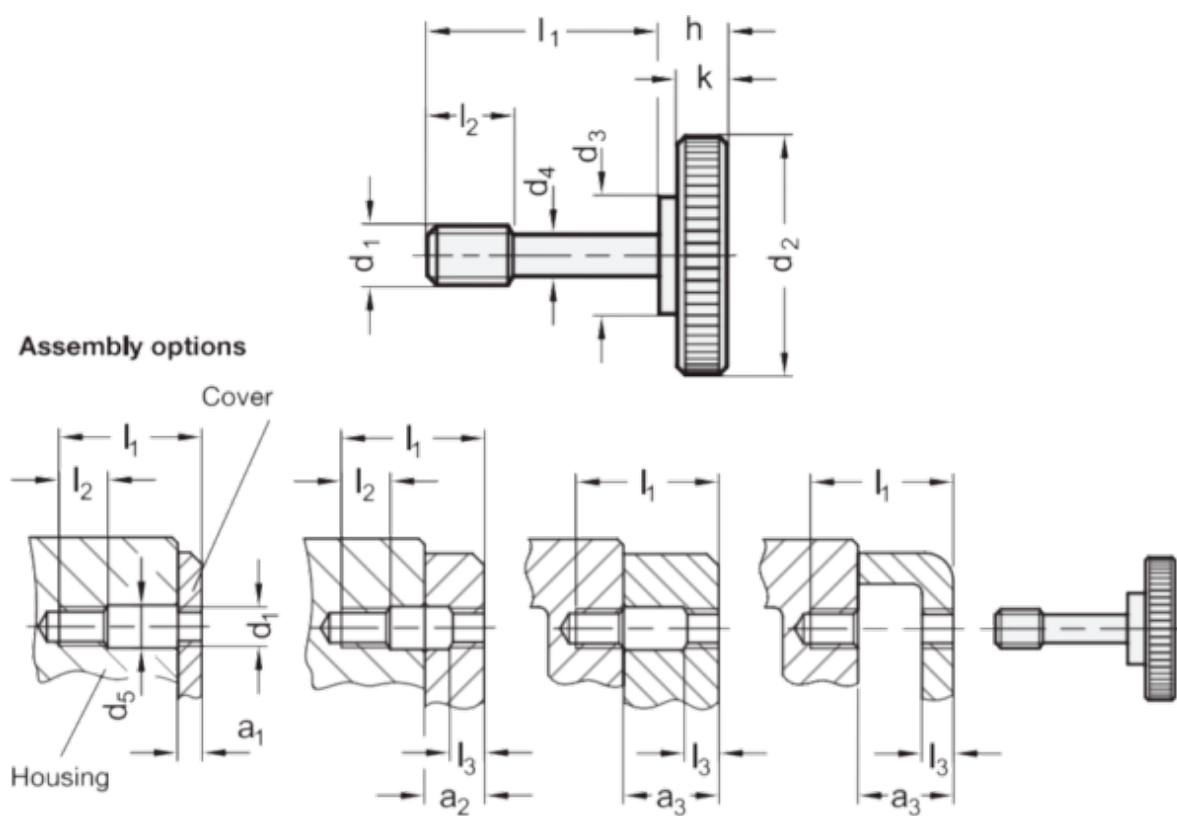


Article number: 206532M626ST
Description: E+G knurled screw
GN 653.2-M6-26-ST

Measures



$d_1 = M6$
 $d_2 = 24$
 $d_3 = 12$
 $d_4 = 4.8$
 $h = 8$
 $k = 5$
 $l_1 = 26$